


ES-210

The background of the page is composed of several overlapping geometric shapes, primarily triangles, in various shades of gray. A large, dark gray triangle is positioned in the lower right quadrant, extending towards the bottom right corner. To its left, a lighter gray triangle overlaps it, extending towards the bottom left. In the bottom left corner, there is a small, dark gray triangle. The overall composition is minimalist and modern.

PENTAIR
PENTAIR

PENTAIR() EVERPURE()

1.

•

•

•

•

•

•

100%

•

0

•

•

•

•

•

•

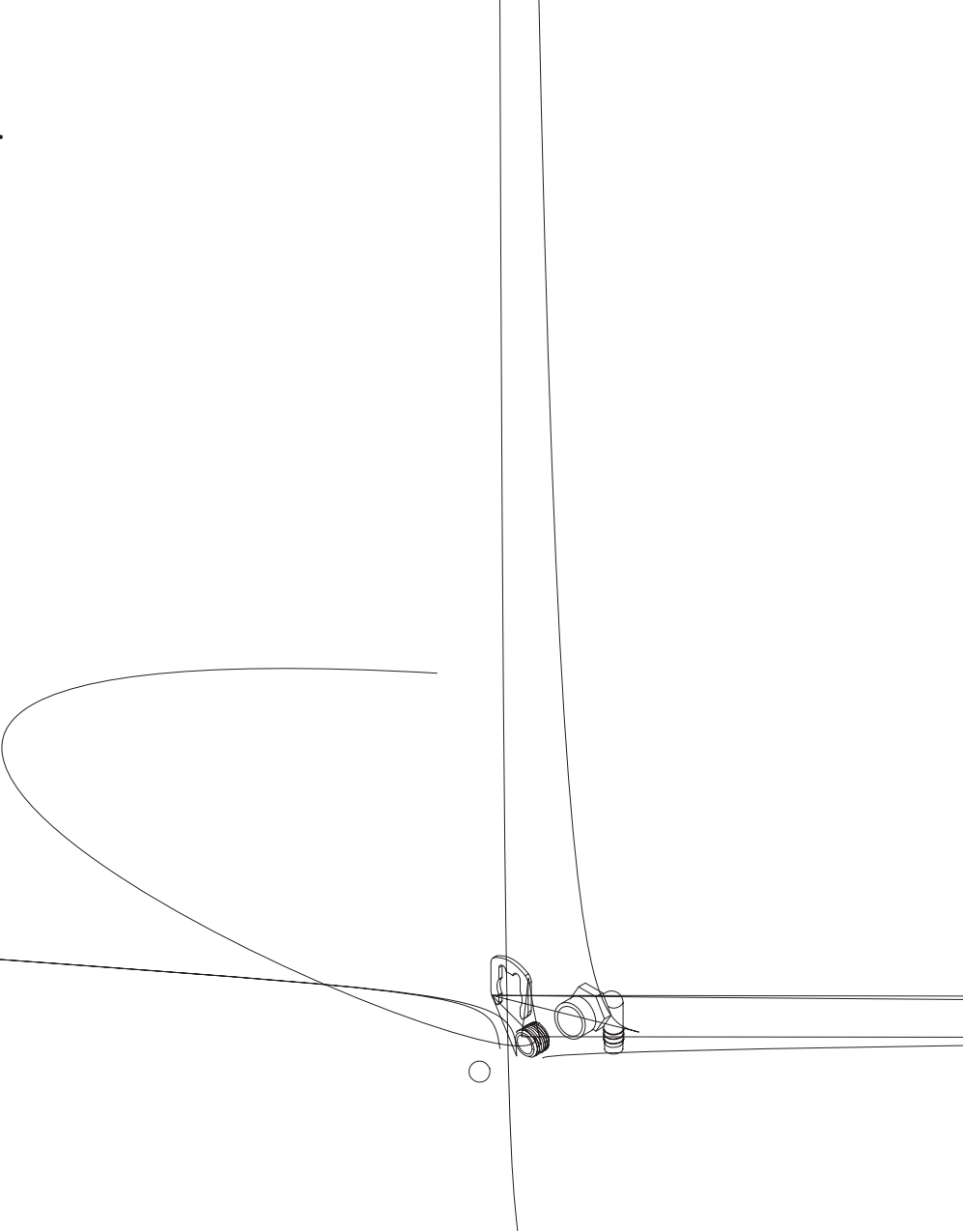
•

2-49

•

2

- 1.
- 2.
- 3.
- 4.
- 5.
- 6.



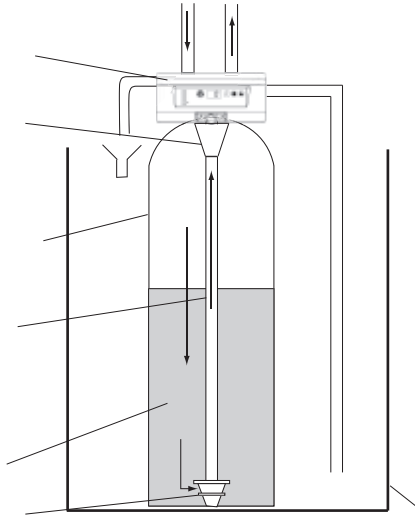
3.

3.1

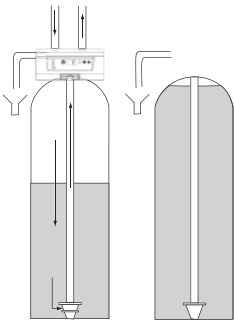
— 2001

3.2

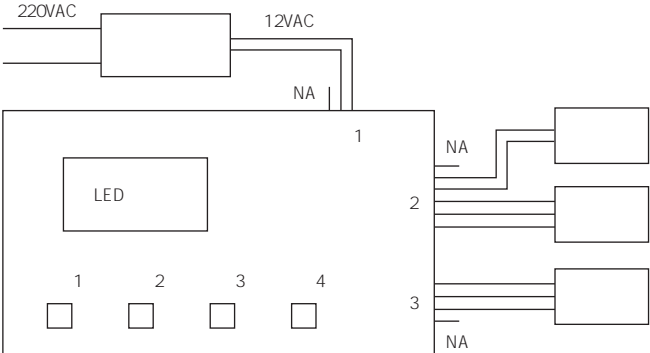
3.2.1



3.2.2



3.2.3



3.3

	ES-210
/	3/4" (25mm)BSPT
	0.14 0.35MPa
	0.9m ³ /h
	1.5m ³
	8000m ³
	2001
	12L
	10kg
	220V-50Hz
	8W
	4 38
	2 49
* *	500*280*510mm
	1/2" (12.7mm)
	3/8" (9.5mm)

3.4

		/			
1		0.6-0.8mm		12L	10
2		250mm 400mm		1	10
3		25L		1	10
4		222mm × 222mm × 119mm	+	1	10
5		25mm	PVC	1	10
6		25	ABS	1	10
7		25	ABS	1	10

4.

4.1

•

•

- a). 55cm × 30cm
- b). 66cm
- c). 40-160cm

d). 10.2cm

e). / 220V-50Hz

f). 8W

g). 2m

h).

j). 4°C 38°C

k). 0.14MPa 0.35MPa

•

2°C 49°C

•

•

40-160cm

10cm

•

•

0.14 0.35MPa

•

•

•

•

10

•

Y

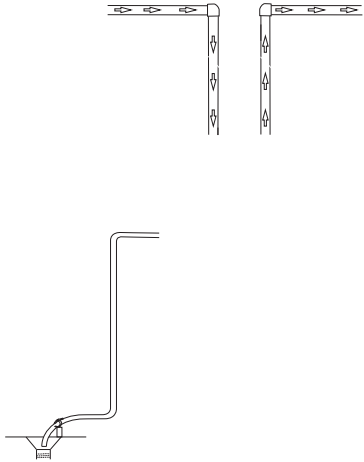
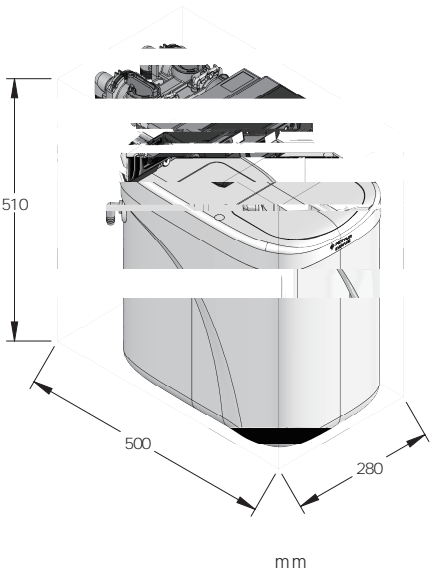
•

6m

•

4.2

4.3



4.4

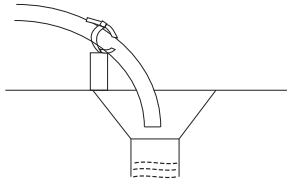
4.4.1

- 0
- 100% 0

-
-
-

4.4.2

-
-
-
-
-
-



4.4.3

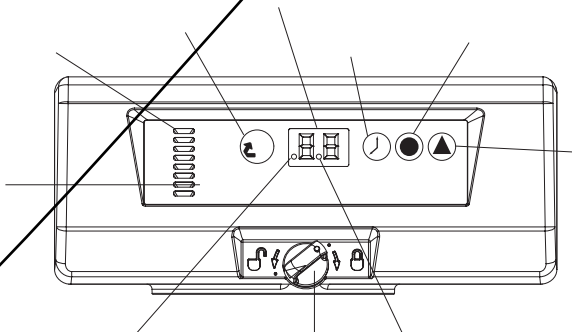
- 1/2"
-



4.4.4

5





①

6.0kg

kg

0.05kg

0.1kg

0.5kg

9.5m³

0.05m³ 12

0.1m³ 20




0.2m³ 10




0.05m³ (10

5

5.1.5

4

1.   3
 2. " u"
 3. 
 4. 5

1.   3 " 0"
 2. " u"
 3.  " u0"
 4. 5 1
 5. 1-4

u1	
u2	
u3	
u4	
u0	

5.1.6

  3



- 0=
 0.3= 8
 0.5= 12
 1-30=

5.1.7

- Err3
- u1 0.6kg

ES-210	
ppm	T
50	8.00
100	4.00
150	2.67
200	2.00
250	1.60
300	1.33
350	1.14
400	1.00
450	0.89
500	0.80
550	0.73
600	0.67
650	0.62
700	0.57
750	0.53
800	0.50
kg	0.6

- 4-5L
- " "
-  3 [] C1 1/4
- ,
-   C2
-  

C7

①

5.1.8

/

5.2

" "

<0.3mg/L

<3NTU

0.14MPa

0.6MPa

220V-50Hz

8

8

8

1.5



3

30



4



5



H2

H1		
H2		/
H3		
H4	200	9,999 65,535
H5		
A0	0	
A1	1	
A2	2	
A3	3	
A4	4	
A5	5	
A6	6	

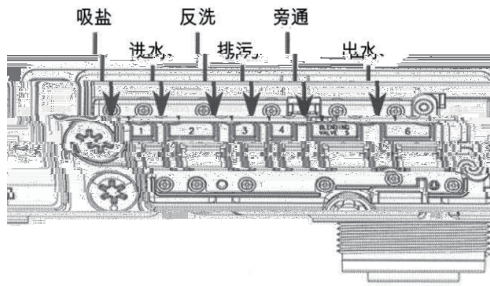
-

-

-

5.5

	#4	
	#4	
	0	0
		20psi 1.3bar



Err 1		Err 1
Err 3	Err 3	1. 2.
	5	1. 2.

6.

6.1



1

1

2

3

4

-
-
-
-
-
-
-

5

6

7

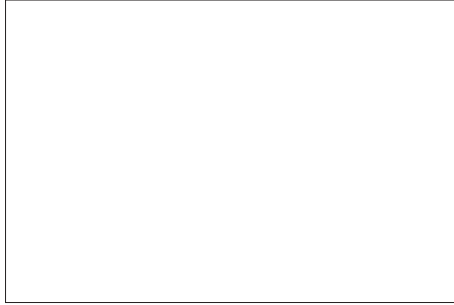
8

800-820-6671

400-820-6671

09:00-19:00

6.2



371

215011

800-820-6671

400-820-6671

www.pentairwater.cn

MPMA003_A